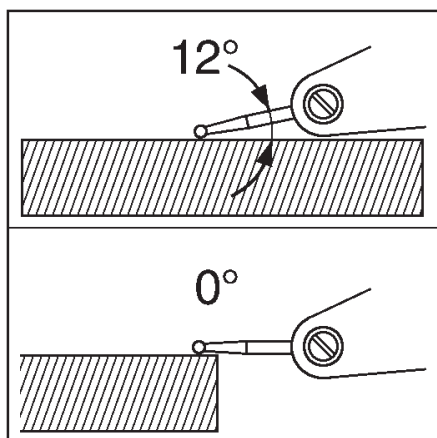


## Lever Type Dial Test Indicators – BL-9 / BL-10

Please carefully review these instructions to ensure proper and accurate use of your new Test Indicator.

### Contact Point with 12° Position



This indicator is designed to provide a true reading when the angle between the contact point and component is 12°. Any configuration of an angle other than 12° needs the displayed value to be corrected. For a position of 0°, the correct value is:

**Displayed value x 1.022" or 1.022mm**

### Maintenance

No special maintenance is required. The bearings of the indicator **must not be oiled.**